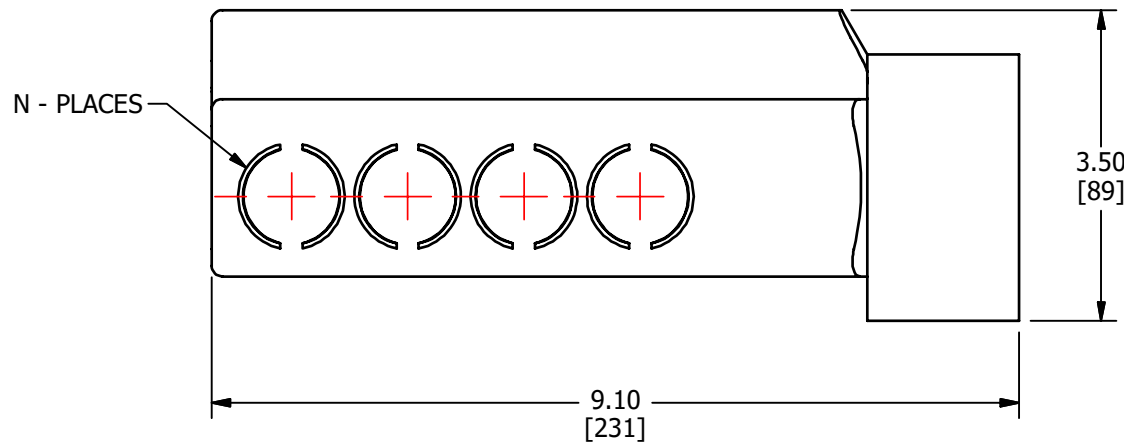
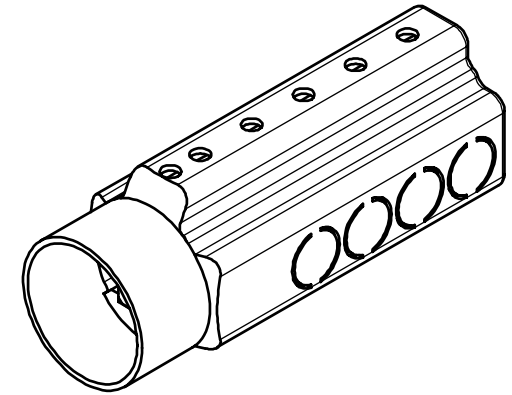
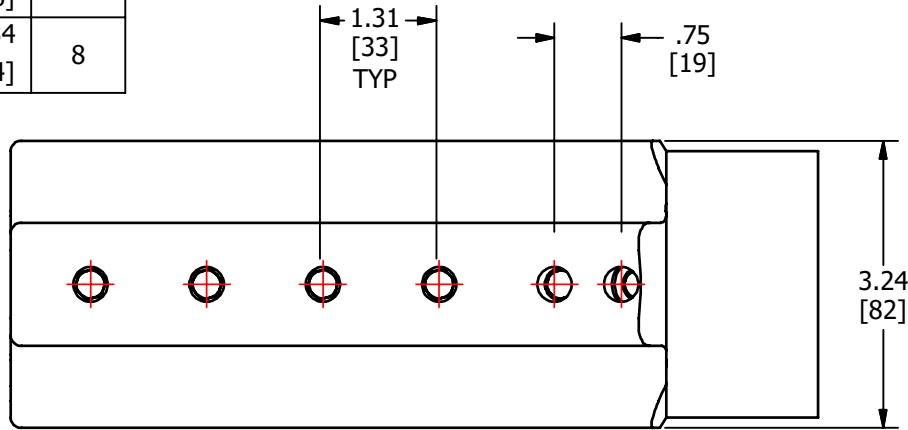
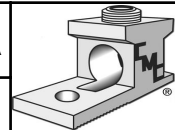


S.NO	CATALOG NUMBER	L	N
1	RLB750-4I	9.10 [231]	4
2	RLB750-6I	11.72 [298]	6
3	RLB750-8I	14.34 [364]	8



COVER MATERIAL: CLEAR PLASTISOL
CONNECTOR MATERIAL: ALUMINUM
CONDUCTOR RANGE: 750 KCMIL - #2
(AL-CU)

REV.	DESCRIPTION	ECN	DATE	INIT.	TO ORDER CMC PRODUCTS	DRAWN BY: TS	NAME OF PART:	CAT. NO.:
					UNITED STATES 1-513-860-4455	03-13-20	STUD MOUNT CONNECTOR ASSEMBLY	SEE TABLE
					CANADA 1-800-361-6975	CHECKED BY:	DWG NO:	A
					MEXICO 011-52-722-265-4400		C58701392CI-S (CHARTED)	
A	NEW DRAWING CREATED		03-13-20	TS	FOR PRODUCT INFO www.cmlugs.com	DRAWING NOT TO SCALE		SHEET NO: 1 OF 1



THIS INFORMATION IS PROPRIETARY TO CONNECTOR MFG. CO. AND IS NOT TO BE DISCLOSED OUTSIDE OF CONNECTOR MFG. CO. WITHOUT A CONFIDENTIALITY AGREEMENT



CONNECTOR MANUFACTURING CO.

HAMILTON, OHIO